

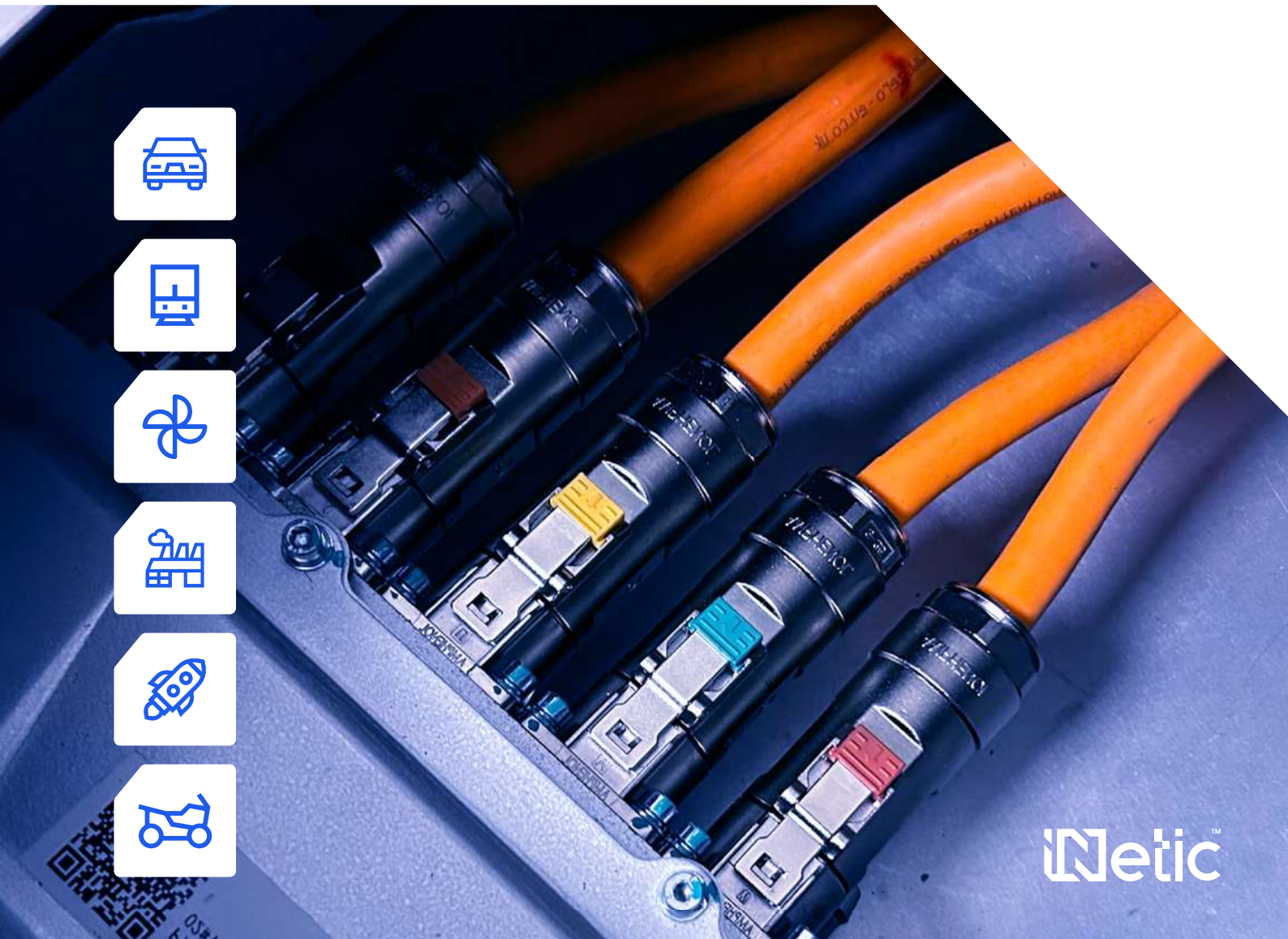
 traction™

A4001 Inverter



Control your power  
with **seamless integration**

Learn more  
[inetictraction.com](http://inetictraction.com)



 Inetic™

# A4001 Inverter



## LV Connection

Connector Model (Inverter Side)	Connector Model (Harness Side)	Pin No.	Name	Description	Recommended Diameter Wire
AMP 35 776231-1	AMP 35 776164-1	1	12V+	From Vehicle Wiring Harness	0.5mm <sup>2</sup> / 500 VDC / High Temp / two core twisted pair / Shield/ multi branch
		3	GND		
		7	EXC+		
		8	SINL-		
		9	COSL-		
		13	CAN_Shield		
		14	CAN H	From Motor Wiring Harness	0.5mm <sup>2</sup> / 500 VDC / High Temp / two core twisted pair / Shield/ multi branch
		15	CAN L		
		19	EXC-		
		20	SIN+		
		21	COS+		
		23	Temp+		
		24	Temp-		
		35	35		

## HV Connection

Connector Model (Inverter Side)	Connector Model (Harness Side)	Pin No.	Name	Description	Recommended Diameter Wire
PL00X-300	PL18X-300-50	+	DC Bus Positive	Connected to Power Supply	50mm <sup>2</sup> / 800 VDC / High Temp / Shield/ multi branch
PL00Y-300	PL18Y-300-50	-	DC Bus Negative		
PL00U-300	PL18U-300-50	U	Motor Phase U	From Motor Phase Connectors	
PL00V-300	PL18V-300-50	V	Motor Phase V		
PL00W-300	PL18W-300-50	W	Motor Phase W		

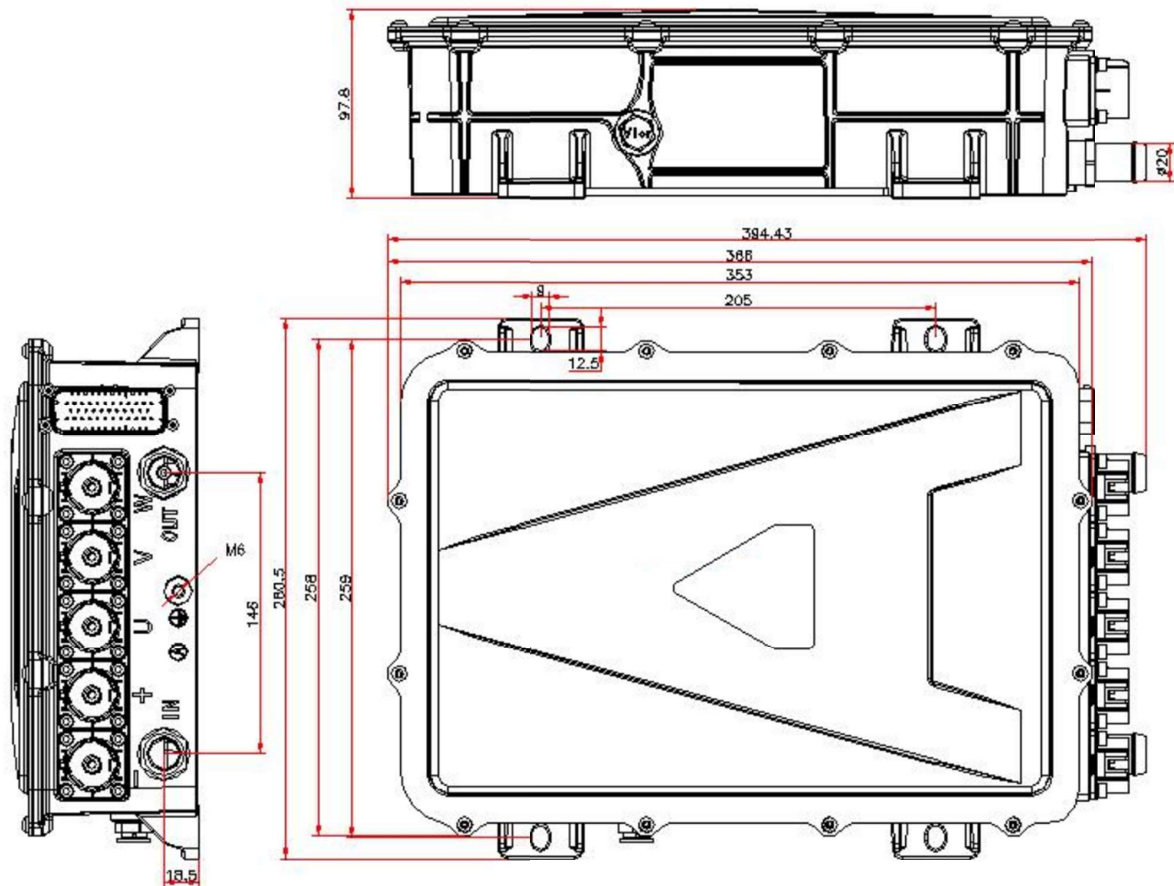
## Performance



Electrical Specification	Unit	
Type		3-Phase AC Motor Controller
Applications		Automotive Motorsport, Off-Highway, Motorcycle, Passenger Vehicle, Commercial Vehicle, Rail, Marine and Power Generation
DC Voltage Range	VDC	250 - 420
Maximum Phase Current	Arms	410
Continous Phase Current	Arms	220
Max Efficiency	%	98
Max Capacity	kVA	150
Rated Capcity	kVA	90
Phases		3
Rotor Position		Resolver

Mechanical Specification	Unit	
Height	mm	97.8
Width	mm	280.5
Length	mm	394.43
Mass	kg	11.2
Protection Level		IP67

Thermal Specification	Unit	
Coolant Method		Water Ethylene Glycol
Coolant Flow Rate	LPM	8 - 16
Working Temperature	°C	-45 to 85
Storage Temperature	°C	-45 to 85
Temperature sensor		PT1000



Explore [inetictraction.com](https://inetictraction.com) to design your drive system with multiple configurations, matched motors, controllers and gearboxes.